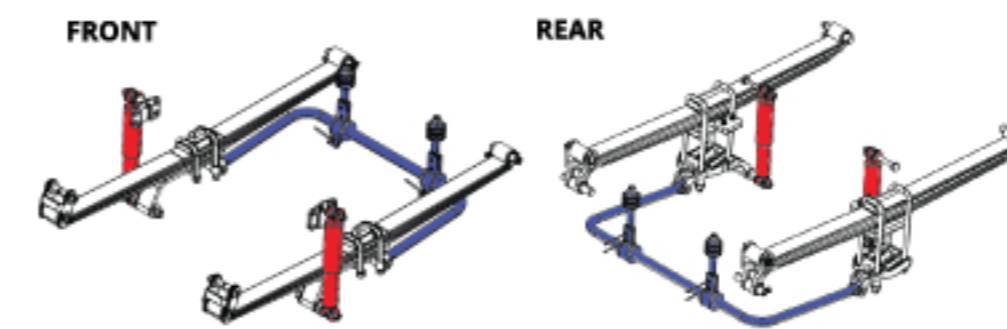
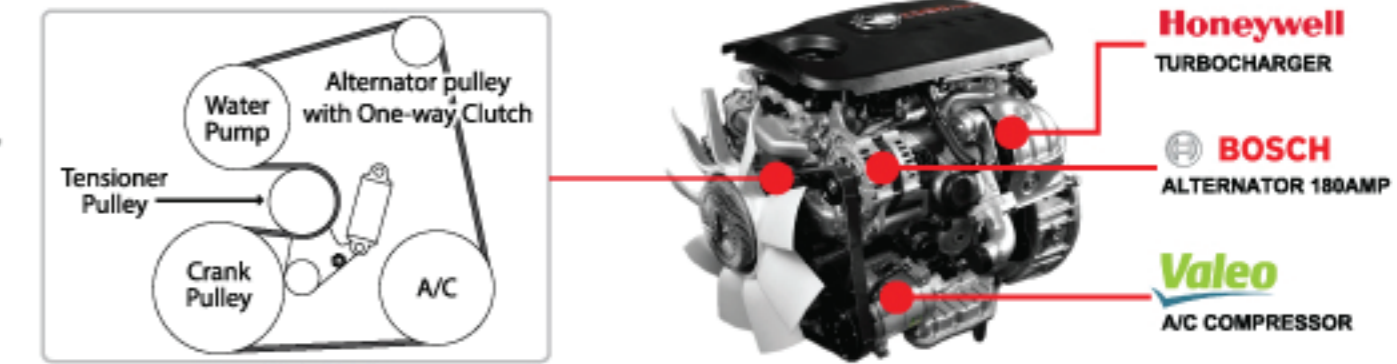


Body Type	Passenger Seat	Safety Compliance	Overall Length	Overall Height	Overall Width
<b>MINI BUS</b>	<b>31</b>	<b>R66</b>	<b>9M</b>	<b>3.4M</b>	<b>2.3M</b>

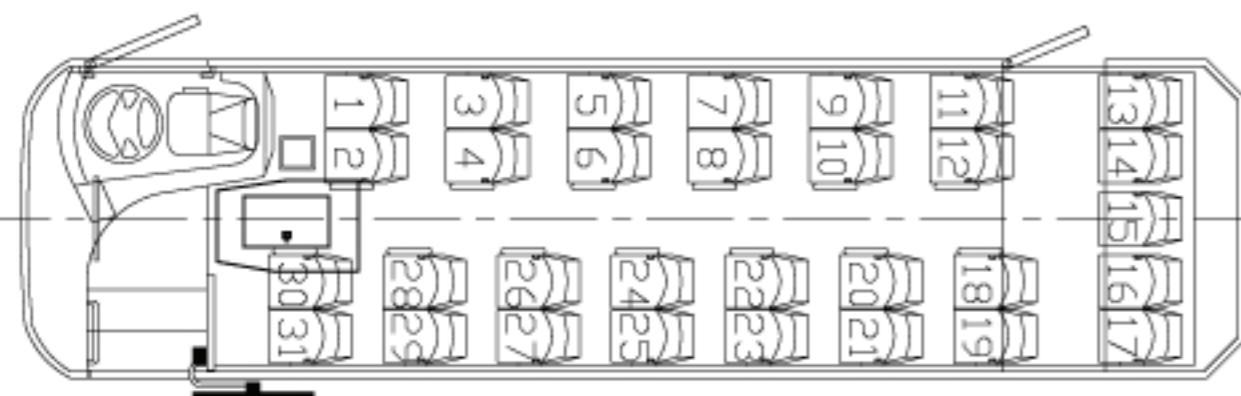
### CONFIGURATION & SEAT ARRANGEMENT



PARABOLIC LEAF SPRING WITH DUAL ACTING SHOCK ABSORBER + STABILIZER BAR



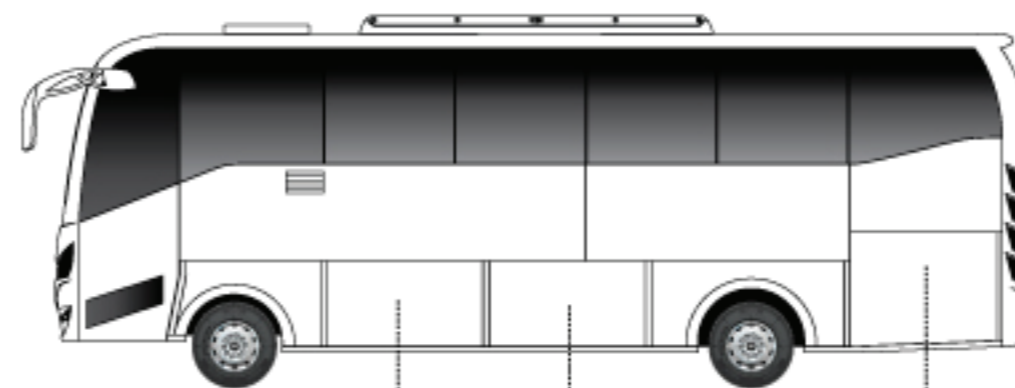
ENGINE ZD30D15 WITH 7PK AUTO-TENSIONED DRIVE BELT SYSTEM.



Rear Luggage Compartment



Side Luggage Compartment



Left Luggage Compartment



UPGRADED CLUTCH DISC (325mm)



WABCO ABS SYSTEM



KNORR-BREMSE BRAKE SYSTEM



'ANTI-PINCH' DOOR SYSTEM



3 POINT SAFETY BELT WITH USB PORT



LIGHTWEIGHT COMPOSITE AIR COND DUCTING